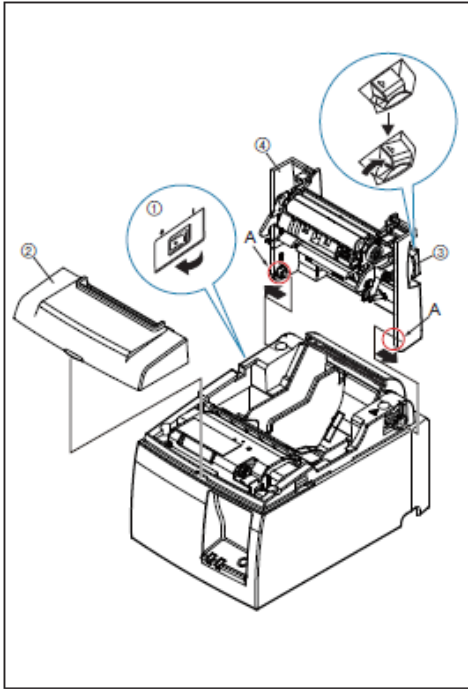




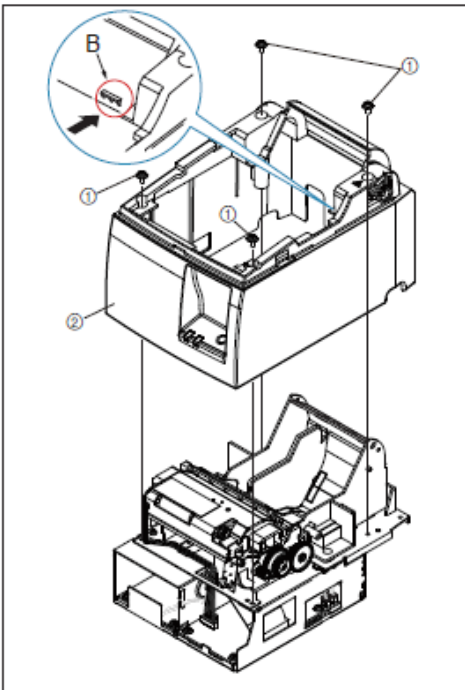
How to remove cutter unit from mechanism unit of printer TSP100III model

1. Remove Rear Cover Unit



- 1.1 Turn the power switch 1 off and unplug the power plug from the AC outlet.
- 1.2 Remove the front cover.
- 1.3 Open the rear cover and remove by holding it at the (A) then pull.

2. Remove Case Unit

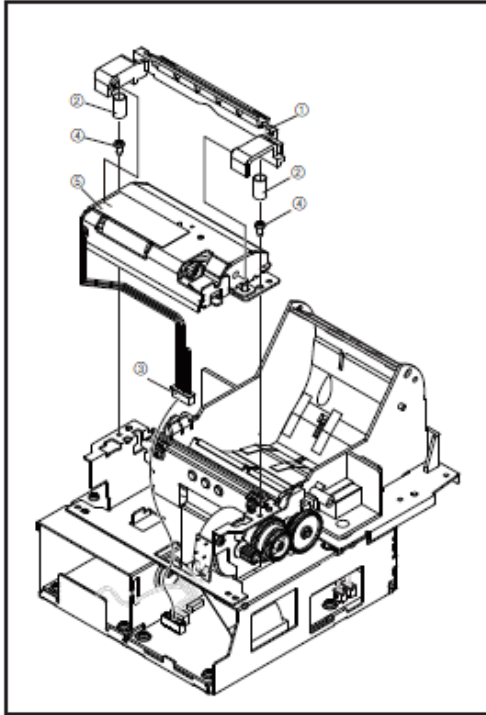


- 2.1 Removing 4 screws following No.1 in a picture.
- 2.2 Look at under the printer have a small lock to bend the cover out of the buckle lock (B).
- 2.3 Pull case unit out.



How to remove cutter unit from mechanism unit of printer TSP100III model

3. Remove cutter from mechanism unit of the printer.



3.1 Remove font guide and spring out from cutter unit (1)

3.2 Remove 2 screws (4)

3.3 Remove pair cable from mainboard (3)