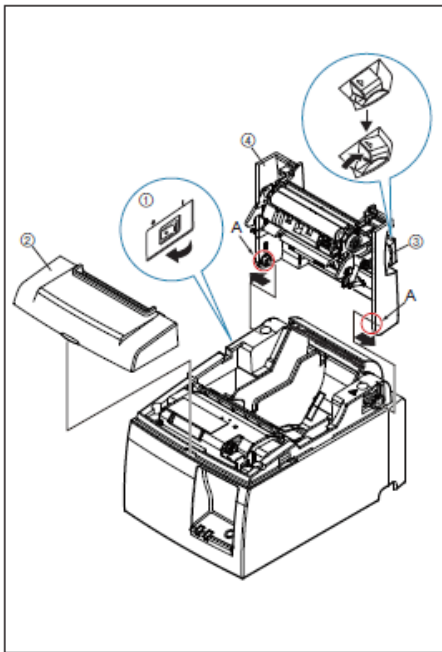




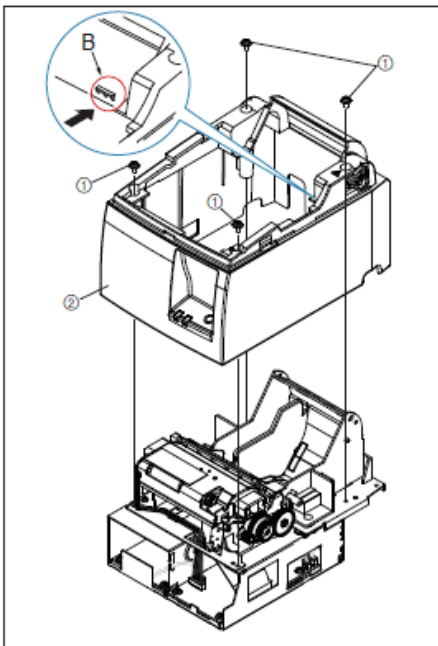
How to remove Mechanism Unit of TSP100III

1. Remove Rear Cover Unit



- 1) Turn the power switch 1 off and unplug the power plug from the AC outlet.
- 2) Remove the front cover.
- 3) Open the rear cover and remove by holding it at the (A) then pull.

2. Remove Case Unit

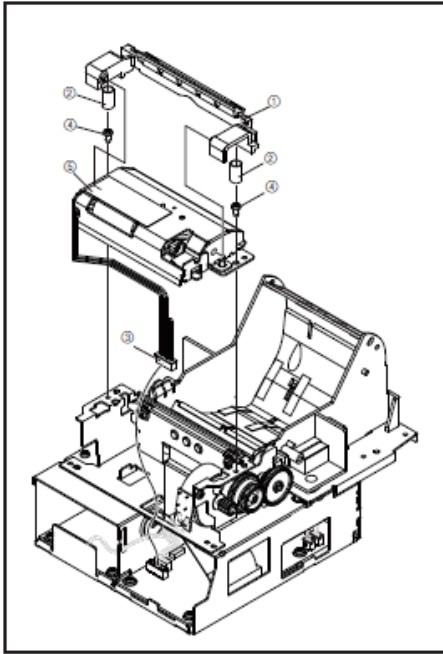


- 1) Removing 4 screws following No.1 in a picture.
- 2) Look at under the printer have a small lock to bend the cover out of the buckle lock (B).
- 3) Pull case unit out.



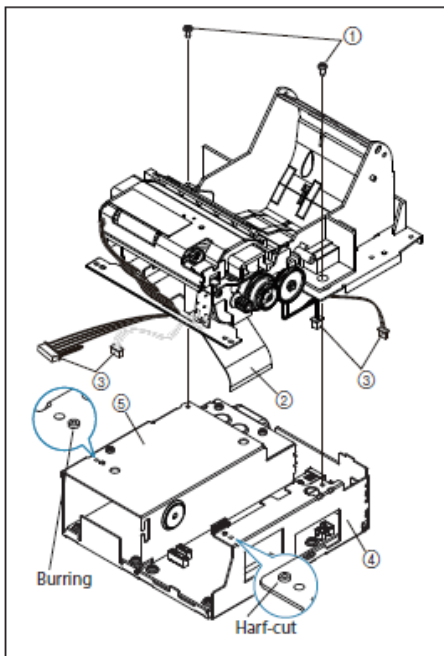
How to remove Mechanism Unit of TSP100III

3. Remove Cutter from Mechanism Unit of the printer.



- 1) Remove font guide and spring out from cutter unit No.1
- 2) Remove 2 screws No.4
- 3) Remove pair cable from mainboard No.3

4. Remove Mechanism Unit from Main Board

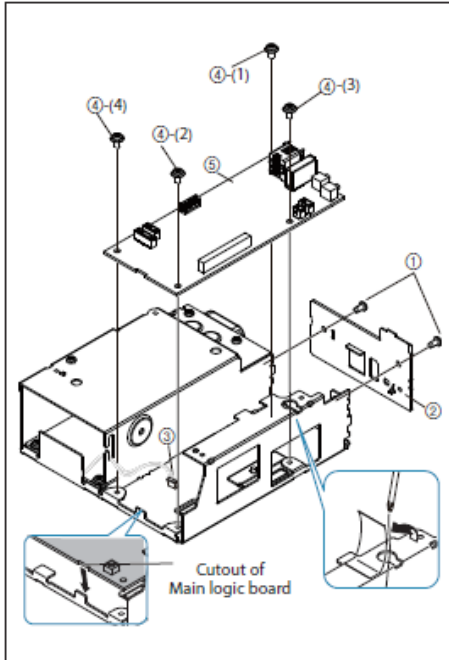


- 1) Remove 2 screws No.1
- 2) Remove every pair cables No.2,3
- 3) Pull out the Mechanism Unit



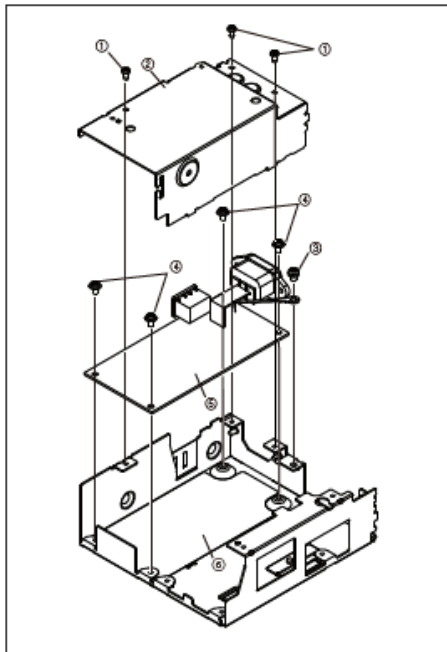
How to remove Mechanism Unit of TSP100III

5. Remove Main Logic Board



- 1) Remove 4 screws No.4
- 2) Remove Main Logic Board out

6. Remove Power Supply Board



- 1) Remove 3 screws No.1
- 2) Remove power cover No.2
- 3) Remove 5 screws No.3,4 then remove Power Supply Board